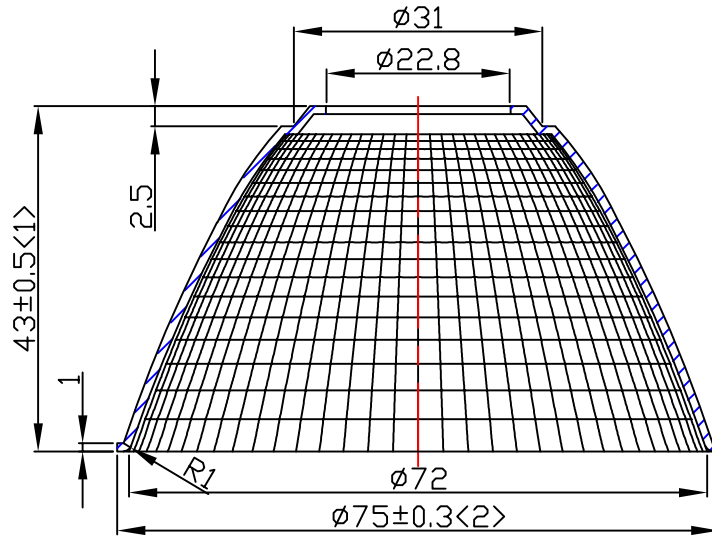
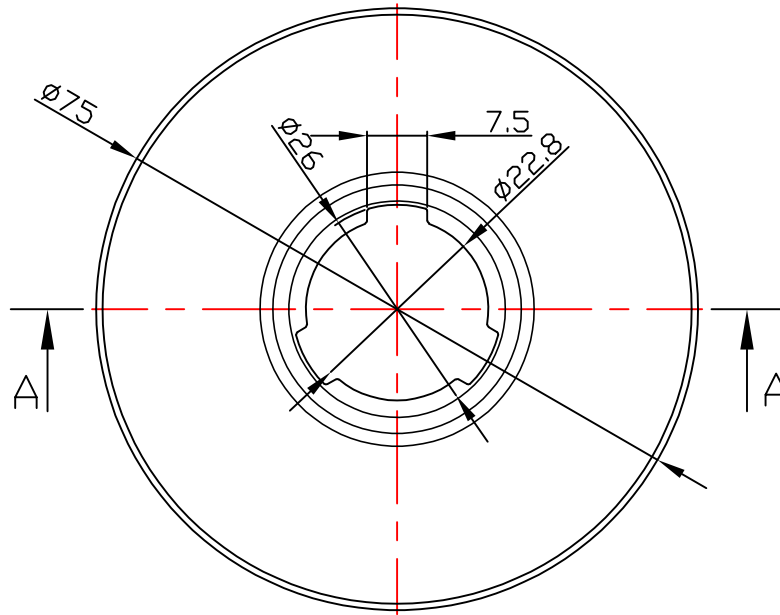


table for unmentioned tolerance in the drawing (unit: mm)			punch angle tolerance in the drawing (unit:degree)		
0-5	5-30	30-120	0-10	10-50	50-120
±0.15	±0.2	±0.5	±1°	±0.5°	±0.3°
120-250	250-400	400-700	120-250	250-360	360 above
±0.8	±1.5	±2	±0.2°	±0.166°	±0.083°



A-A



Light Source	GE SM3000 LES19
PlasticHolder	
Metal Adaptor	92.76.233.00
Design Angle	18° ±3°
Measured Angle	
Efficiency	

						Material:T=1.0 1090AL		<b>Nata®</b> <b>NATA Lighting Co.,Ltd</b>	
Mark	Amended Times	Amended Content		Signature	Amended Date	Customer Item			
Control Version	AO	Design Version	K0	Client Version		Customer Code		NT	
Designer		Drawing by		Proportion	1:1	Product Number			
Technology		Auditor		View		Product Name		2976-E	
Approval		Date	2018.07.01	Page	Total Page				